

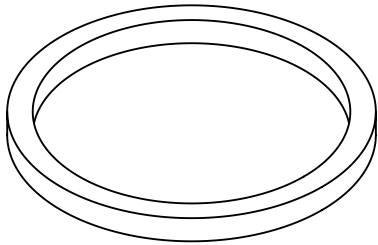
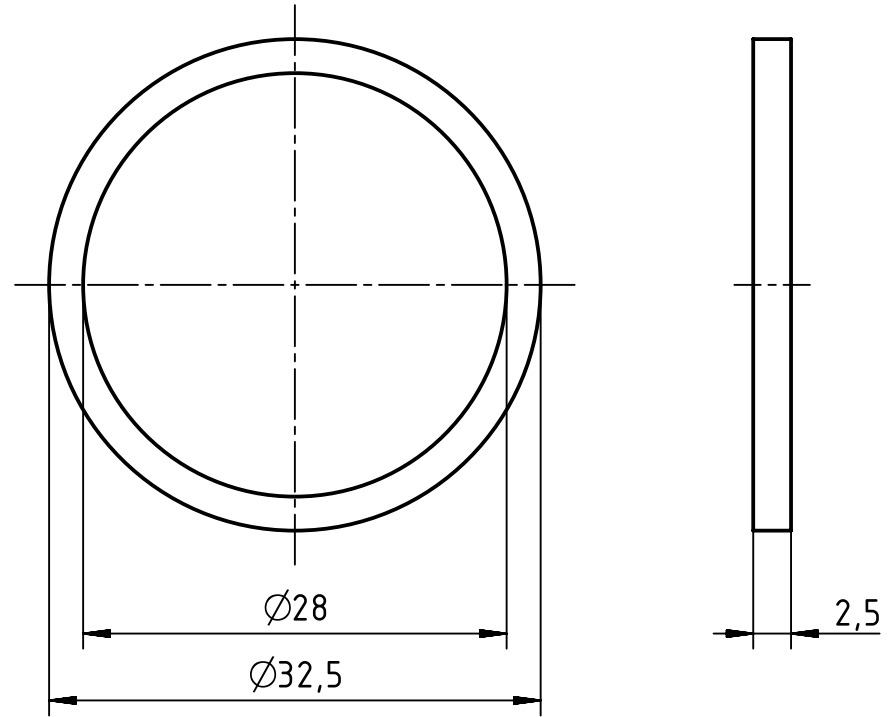
1 2 3 4 5 6

A

B

C

D



	All rights reserved Department EL PD - DE	All Dimensions in mm Original Size DIN A4	Scale 2:1	Free size tol.		Ref.
		HARTING Electric GmbH & Co. KG D-32339 Espelkamp	Created by HOLLERT	Inspected by GARSKE	Standardisation SCHMIDTM	Date 2015-01-09
Title Han F+B dirt protection-M25-size1						Doc-Key / ECM-Nr. 100549639/UGD/001/B 500000082673
Type TB		Number 09 15 500 9911			Rev. B	Page 1/1